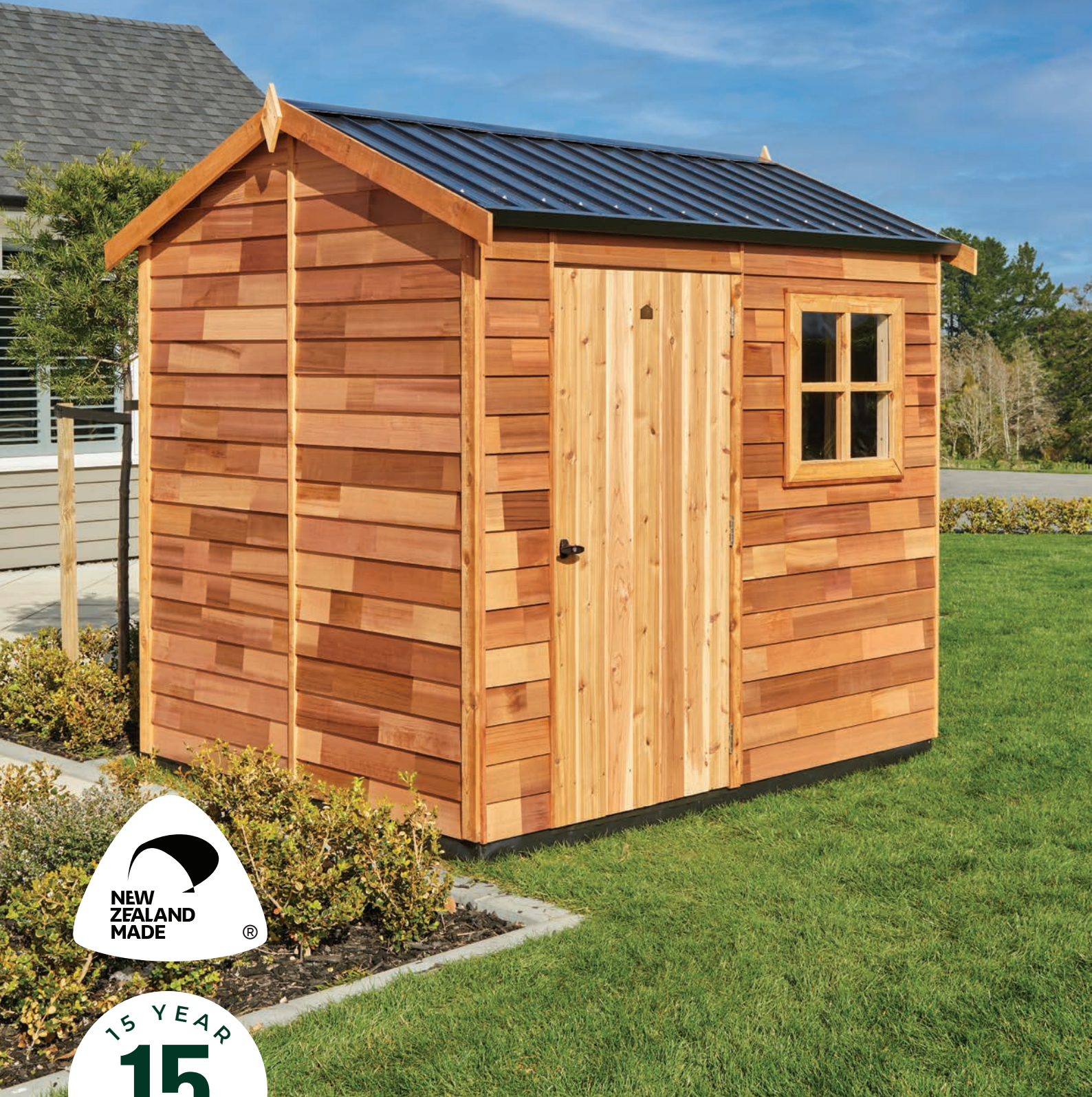




The **ultimate** timber construction for a stable natural or paintable finish



thecedarshed.co.nz

INTRODUCING THE ULTIMATE LUXURIOUS STORAGE...

Known as the ultimate Timber storage building, The Cedar Shed has been manufactured in New Zealand since 1987. The Cedar range of sheds offers beautiful looks along with outstanding quality that needless to say, is built into the Cedar clad design.

Nestled amongst the trees or placed as a show piece, cedar sheds make a statement and provide a natural look that goes hand in hand with our beautiful country. A Cedar shed retains a distinguished appearance that lends a mark of quality to any home, and is an investment you won't regret.

Rustic or Contemporary

Your choice of shingle or pre-painted steel roof.

High Quality Joinery

Residential grade fixed or opening aluminium windows optional on all models.

Modular Panel Design

Pre-made panels make for quick and easy installation.

No Condensation

Fully lined with building paper. Keeps your gear moisture free.

Solid Treated Timber Frame

Makes easy fixing of shelves, workbenches and lining kits.

Lockable Resin Handle

No rusty pad-bolts or missing padlocks.

Solid Tongue & Groove Cedar Door



“It looks fantastic! And worth every cent. I will recommend it to anyone wanting that ‘Touch of Class’ in their back yard. Well done!”
A. Roest

Waterproof!

PVC weather-strip provides a water tight floor.

Anti Rust Stainless Fixings

Long-lasting. Perfect for coastal locations.

STEEL ROOF & WINDOW COLOUR OPTIONS

Choose from these 4 popular colour options.



* Your new shed is guaranteed against defective material and faulty workmanship for fifteen years from date of purchase.

* Terms and conditions apply. Full warranty details are sent with your shed or can be requested from the distributor.



SUPERIOR CONSTRUCTION, MAKING IT LAST

Modular Assembly System – This system has been distinctive to Cedar sheds for over 30 years and is constructed from pre treated framing, clad with premium Canadian sourced Cedar weatherboards.

Building Paper - Each panel is lined with heavy duty building paper creating an ultra dry interior. Great for storing important documents and items that don't like moisture.

Stainless Steel Staples - These are used to fasten the Cedar weatherboards to the timber frame creating a structure that will last. Great for coastal areas and other harsh environments.

Robust Optional Floor - This is an option with any Cedar Shed purchased. The floor kit is pre-cut in the factory and includes H4 treated joists and sturdy pine floor boards.

WESTERN RED CEDAR... WHY YOU'LL LOVE IT.

As one of the worlds most durable timbers, Cedar lasts for decades and even centuries in the harshest of environments. Light in weight, uniformly textured, straight-grained and containing no resin, Western Red Cedar is easy to work with, making it the ultimate choice in timber shed construction.



EASY INSTALLATION WITH THE MODULAR ASSEMBLY SYSTEM



SOME OF THE REASONS WE LOVE **FINGER-JOINTED** CLADDING...



It's Stable – Western Red Cedar is already well-known for its excellent dimensional stability and endurance, but finger-jointing further improves on this already impressive quality by being even stronger, and removing natural longitudinal variations. What's more it is completely clear with no knots.

Provides Character - The finger joint cladding provides a unique characteristic with no two sheds looking alike and making your shed a one of a kind, bespoke piece of outdoor art. It is as beautiful as it is functional.

Ideal for Painting - Finger joint cladding material provides a premium, stable ready to paint finish.



“ TRADITIONAL CEDAR STYLE WITH **LONG-LASTING** INTERLOCKED CLADDING... ”

THE **ULTIMATE** TIMBER CONSTRUCTION FOR A STABLE NATURAL OR PAINTABLE FINISH

It's Perfect for Painting

The Natural look of Western Red Cedar over time provides a gorgeous weathered wooden texture. At the same time these sheds are also easily paintable so you can perfectly match it to the colour of your house.



From This



To This?



Or This?



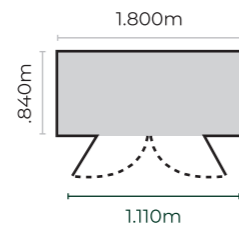
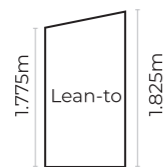
Maybe This?

Sprucing up your shed with a lick of paint can help to give your garden a facelift and can breathe life into the humble garden shed.

Cambridge Locker FJ

Base Dimension	1.800 x 0.840 x 1.825m
Roof Size - Colour roof	1.840 x 0.895m
Door	1.110m opening

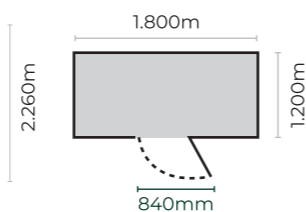
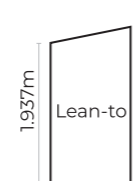
The Cambridge Locker is a small garden shed with a difference – its compact, makes it easy to access your gear and adds a touch of class to your backyard! The pre-painted Ironsand steel skillion roof and back wall construction allows the shed to be positioned against your house or fence, saving you valuable space. Includes floor and 3 shelves.



Includes floor & 3 shelves!

Hampshire FJ

Base Dimension	1.800 x 1.200 x 2.260m
Roof Size:	
- Shingle	1.950 x 1.330m
- Colour roof	2.095 x 1.330m
Door	840mm opening
Concrete Slab	1.785 x 1.175m



This skillion model provides great storage for properties where space is at a premium. Against the house or fence is an ideal spot for this shed with a lean-to roof that directs the water away from the rear.

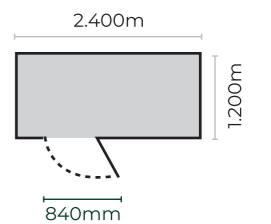
Woodridge FJ



Shown with optional pre-painted steel roof.

Base Dimension	2.400 x 1.200 x 2.260m
Roof Size:	
- Shingle	2.550 x 1.330m
- Colour roof	2.590 x 1.330m
Door	840mm opening
Concrete Slab	2.385 x 1.175m

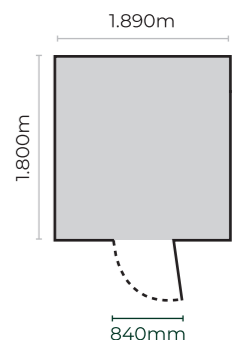
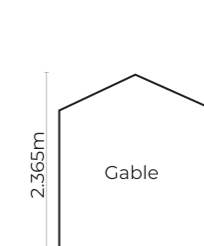
A longer version of the popular Hampshire. The Woodridge provides excellent usable storage space against the house.



Ferndale FJ



Base Dimension	1.800 x 1.890 x 2.365m
Roof Size:	
- Shingle	1.950 x 2.160m
- Colour roof	2.095 x 2.160m
Door	840mm opening
Concrete Slab	1.875 x 1.795m



The Ferndale is a square shaped shed that provides ample storage for smaller garden items.

The door in the gable end gives a unique look. Like all Cedar sheds, a window can be added as an optional extra if desired.

A great little shed and a complement to any backyard.





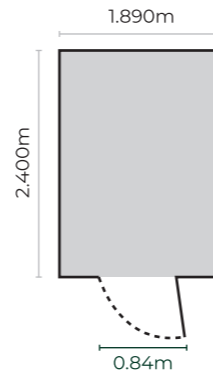
Sherwood FJ

The Sherwood is shown here featuring the Grey Friars optional colour steel roof.

Like the Ferndale, the Sherwood offers end access which is user friendly for the storage of bikes and other longer items.

This style will often fit snugly between a house and the fence making excellent use of space.

Base Dimension	1.890 x 2.400 x 2.365m
Roof Size:	
- Shingle	2.160 x 2.550m
- Colour roof	2.160 x 2.595m
Door	840mm opening
Concrete Slab	1.875 x 2.385m



Also available with Shingle roof.

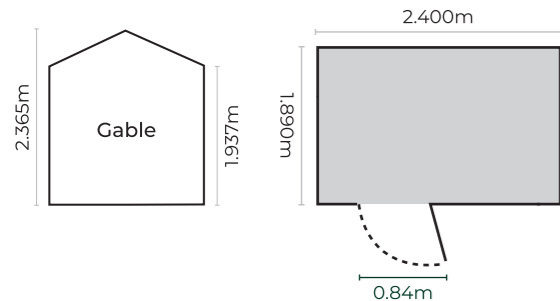
Millbrook FJ

The dimensions and conventional shape of the Millbrook places it in the "most popular size garden shed" category.

The Millbrook is a great all rounder. All your traditional garden gear will fit in here with ease.

Please note....chooks and other props are not included!

Base Dimension	2.400 x 1.890 x 2.365m
Roof Size:	
- Shingle	2.550 x 2.160m
- Colour roof	2.595 x 2.160m
Door	840mm opening
Concrete Slab	2.385 x 1.875m



Shown with optional aluminium window.

Astor FJ

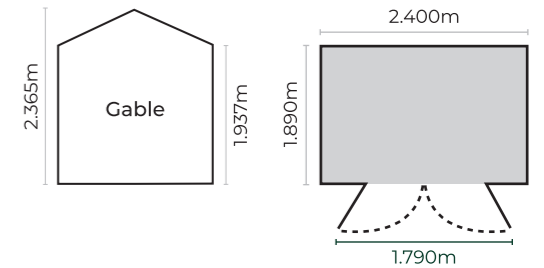
This beauty is perfect for a bike shed. The same size as the 'Millbrook', but with double doors in the side making easy access for bikes and bigger items.

Lots of kids toys? Need a pool shed? Get an Astor!

Base Dimension	2.400 x 1.890 x 2.365m
Roof Size:	
- Shingle	2.550 x 2.160m
- Colour roof	2.595 x 2.160m
Door	1.710mm opening
Concrete Slab	2.385 x 1.875m



Shown with Karaka steel roof option.

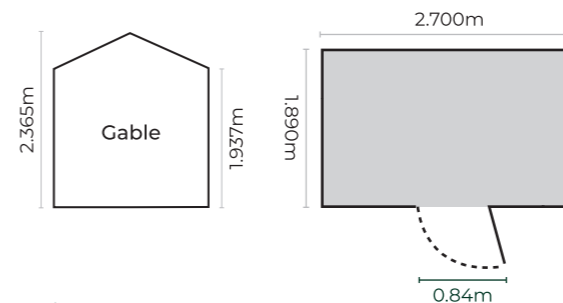


Logan FJ

The 'Logan' is another top seller and with the door in the centre of the long side, there is liberal work and storage space inside and room for a workbench too.

As pictured, the Logan featuring a fixed aluminium window as an optional extra. Popular and practical best describes the Logan.

Base Dimension	2.700 x 1.890 x 2.365m
Roof Size:	
- Shingle	2.850 x 2.160m
- Colour roof	2.930 x 2.160m
Door	840mm opening
Concrete Slab	2.685 x 1.875m



Shown with Ebony steel roof & optional fixed aluminium window.



Regent FJ



Base Dimension	3,600 x 1,890 x 2,365m
Roof Size:	
- Shingle	3,750 x 2,160m
- Colour roof	3,765 x 2,160m
Door	840mm opening
Concrete Slab	3,585 x 1,875m

The all new longer version of our top selling Logan the "Regent" has liberal work and storage space inside and ample room for a workbench too.

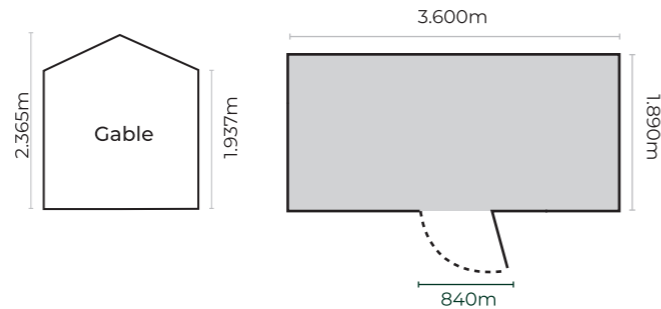
Double doors are available as an option should you wish to store your dirt bikes, bigger items or want better accessibility.

Optional window as shown provides plenty of natural light to work in.



Shown with optional fixed aluminium window & Ironsand steel roof option.

Shown with shingle roof option.



Bentley FJ



Base Dimension	3,600 x 2,490 x 2,495m
Roof Size:	
- Shingle	3,750 x 2,735m
- Colour roof	3,765 x 2,735m
Door	840mm opening
Concrete Slab	3,585 x 2,475m

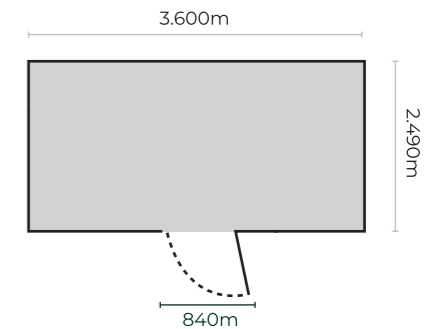
The Bentley is big enough to use as an office, studio or hobby room, yet still leaves enough space for a workbench and some storage as well.

The Bentley ensures you won't be short on storage space. Optional window as shown provide plenty of natural light to work in.

Shown with optional aluminium window.

“7 hours and all erected, just me and my 9 year old son. The kitset would be the best I have ever worked with so very well done to whomever designed it. It was a pleasure to put up, an excellent product.”

Doug



Montrose FJ

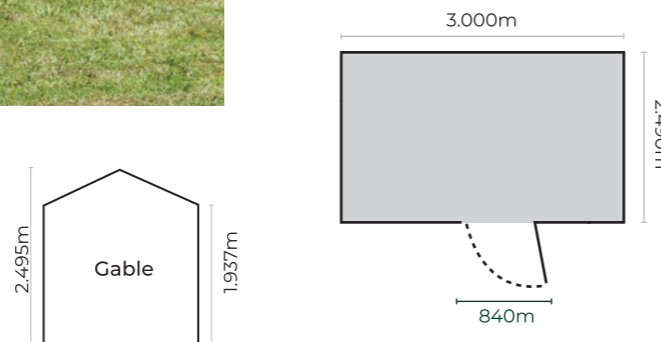


Base Dimension	3,000 x 2,490 x 2,495m
Roof Size:	
- Shingle	3,150 x 2,735m
- Colour roof	3,265 x 2,735m
Door	840mm opening
Concrete Slab	2,985 x 2,475m

With a spacious 2.5m of depth, the Montrose can be used as a full sized workshop, or has enough room to almost completely clear out your garage. It can also be supplied with double doors.

You can have the optional extra fixed or opening windows as shown. You choose the position of the windows to suit.

Shown with optional aluminium windows.



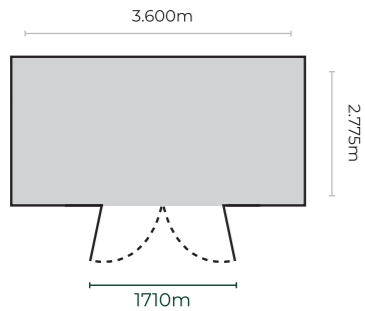
Bentley shown with optional aluminium windows & Karaka steel roof option.



Bristol FJ

The new flagship of the Cedar Shed range. The Bristol sports a big floor area, and features a double hinged door for added access.

Making it great for parking your ride on mower or quad bike, or for storing larger items.



Base Dimension	3.600 x 2.775 x 2.550m
Roof Size:	
- Colour roof	3.265 x 2.735m
Door	1710mm opening
Concrete Slab	3.585 x 2.760m

Urban FJ



Base Dimension	3.600 x 2.775 x 2.550m
Roof Size:	
- Colour roof	3.765 x 3.110m
Door	810mm opening
Concrete Slab	2.585 x 2.760m

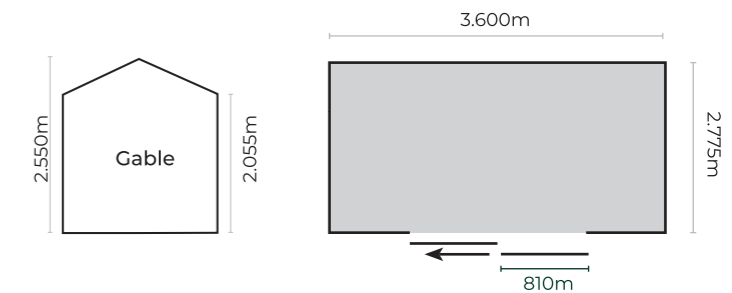
- Home office
- Sleep-out
- Site Shed
- Studio
- Extra room
- Bach

Working from home and need an office? Or maybe an extra bedroom? The Urban Cedar Shed is the perfect solution for you.

The urban has an added advantage of a 1800mm wide ranch slider, which is compliant with the updated glazing standard NZS4223.3:2016.

As with all the Cedar shed range, the walls and roof come complete with building paper making it dry and also easy to fit a lining kit.

Please note: The shingle roof option is not available in the Urban.



OPTIONAL FLOOR KIT

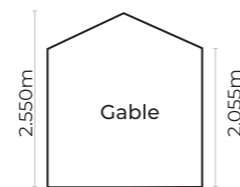
A sturdy floor option is available with the Urban. The floor kit consists of 17mm H3 plywood on 70 x 45 H4 joists.

Dover FJ



Shown with optional Verandah and Deck kit

Base Dimension	2.775 x 3.600 x 2.550m
Roof Size:	
- Colour roof	3.765 x 3.110m
Door	810mm opening
Concrete Slab	2.760 x 3.585m



Essentially the Urban but with the ranchslider on the short side. A versatile option for a sleep out or home office.

Please note: The shingle roof option is not available in the Dover.

OPTIONAL FLOOR KIT

A sturdy floor option is available with the Dover. The floor kit consists of 17mm H3 plywood on 70 x 45 H4 joists.



OPTIONAL VERANDAH & DECK KIT

Enhance the appeal and practicality of your Urban Cabin with the Verandah and Deck Kit. It looks great and protects you from the elements.

This kit can be purchased as the deck only, or the deck and verandah combination.



REAR VIEW

Optional opening window shown for extra light and improved air flow.

Note: The Cedar Sheds shown in this brochure have been coated with Endurance Cedar Protectant to enhance and preserve their natural beauty. Endurance Cedar Protectant is an optional accessory.





CUSTOMISE YOUR SHED

ROOF OPTIONS



The Cedar Shed range is unique for its ability to adapt to 2 different roof styles.

Choose your roof from the rustic looking popular Cedar shingles, or enjoy the contemporary looking colour roof option.

Colour options available: Ironsand, Karaka, Grey Friars & Ebony

Shingle roof not available on Bristol, Urban or Dover models.



TIMBER FLOOR OPTION

The optional timber floor kit is a great solution for the base of your Cedar Shed.

Timber floors are both economical, easy to build and mean your shed will be easily relocatable.



SHELF UNIT

Plywood shelf unit with brackets. 300mm wide.

Available in the following lengths: 1200mm, 1800mm and 2400mm



WORKBENCH

Plywood workbench 1800mm x 600mm with sturdy timber framing.



FIXED OR OPENING WINDOW

Add light and ventilation with fixed or opening Aluminium windows. Window colour matches roof colour on steel roof sheds, while shingle roof sheds will be supplied with an Ironsand window. 700mm H x 740mm W



PEG DOWN KIT

Anchor your Cedar shed down securely in sand or dirt substrates.

- 6 x H5 Treated Timber Pegs
- 6 x Stainless Steel Screws



DOUBLE DOOR OPTION

Available as an option on models over 2.4 metres in width/length.



ENDURANCE WALL & ROOF PROTECTANT

The Endurance Wall and Shingle Protector enhances and prolongs the great look and life of your Cedar Shed.

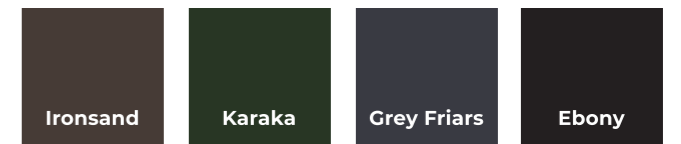


BOLT DOWN KIT

Mount your Cedar shed securely to a concrete base.

- 6 x Unique Galvanised Hold-Down Brackets
- 6 x Dynabolts and Screws

MAKE YOUR CHOICE FROM THESE 4 POPULAR STEEL ROOF COLOUR OPTIONS



Note: All windows added to a Cedar shed will be colour-matched to the roof colour option chosen.

For special sizes or colour options not covered in our standard range, please contact us on 0800 438 274 or email sales@riverleagroup.co.nz



thecedarshed.co.nz

TRADITIONAL CEDAR STYLE
WITH **LONG-LASTING**
INTERLOCKED CLADDING...



CUSTOMER SUPPORT - 0800 438 274

Manufactured by Riverlea Group Ltd
P. O. Box 11062, 2A Maui Street, Hamilton 3200
Ph +64 7 847 0204 Fax +64 7 847 0205
customercare@riverleagroup.co.nz / thecedarshed.co.nz